

# Secure Safe Deposit

## for securely depositing cash and valuables

The Secure Safe Deposit allows the depositing of cash and valuable items without having to first open the safe door. This makes it easier for retailers and small businesses to make deposits during working hours without putting staff or the other contents of the safe at risk. The Secure Safe Deposit offers an effective solution to the issue of how to deal with a build-up of bank notes accumulated during trading hours before banking and the problem of how to protect cash in the main safe at the close of trading.



### Models

The Secure Safe Deposit is available in two sizes. Each size is available with either a key lock or an electronic lock. The deposit unit is located above the door and allows deposits as large as 265mm wide, 80mm high and 150mm deep.

### Construction

The Secure Safe Deposit is constructed with a 10mm solid steel door plate and 6mm steel body. The door is secured by chrome-plated, 20mm diameter bolts operating on three sides of the door. A full-height fixed plate secures the hinge side of the door. The deposit mechanism is protected by three anti-fishing plates to prevent unauthorised removal of deposited items.

### Locking

All models are available with a double-bitted key lock or a user-friendly electronic lock capable of accepting two user codes of up to eight digits each. The electronic lock is also equipped with a mechanical override.

### Additional features

The safes can be anchored to the floor using the fixing kit supplied. In addition, the larger size comes with a removable shelf.

### Design

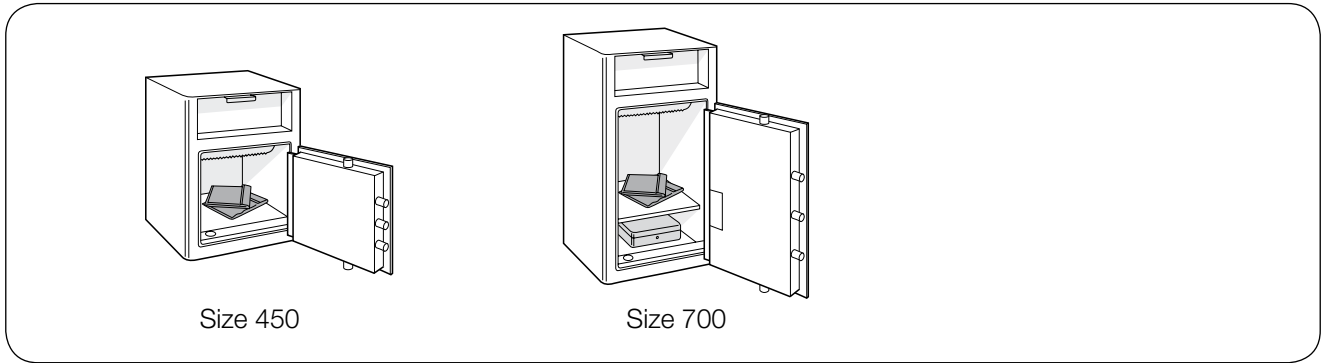
The Secure Safe Deposit range has a two-tone powder finish with a light-grey door and dark-grey body. The door furnishings are chrome-plated.



# Secure Safe Deposit

## Models

SLGB.7004.R1



Size 450

Size 700

## Product data

### Secure Safe Deposit

Model	Article No.	External dimensions (mm)			Internal dimensions (mm)			Volume (litres)	Weight (kg)
		Height	Width	Depth	Height	Width	Depth		
SSD-45K	SL02550	455	340	380	240	325	305	24	54
SSD-45E	SL02551	455	340	380	240	325	305	24	54
SSD-70K	SL02552	700	340	380	480	325	305	48	74
SSD-70E	SL02553	700	340	380	480	325	305	48	74

	Height	Width	Depth
Deposit opening (all)	80	265	220
Door opening size 450	240	270	-
Door opening size 700	450	270	-
Handle projection (all)	-	-	50

SecureLine policy is one of constant improvement. The above specification may therefore be altered without prior notification.

[www.Secure-Line.net](http://www.Secure-Line.net)

Authorised dealer: